



LED Indicator 6335 Series

This series of Miniature LED Indicators has been designed to replace the existing Electromagnetic Indicator currently in service on many aircraft types. The Indicator can display two different signals or different colour displays from one component in a small space. Being solid state technology, the indicator is unaffected by vibration induced failure modes.

The Indicators are attached to the panel using a spring and bayonet type clip

Connection is by poke home crimp termination to NAS 1748 (size22) and uses Souriau contact pins.

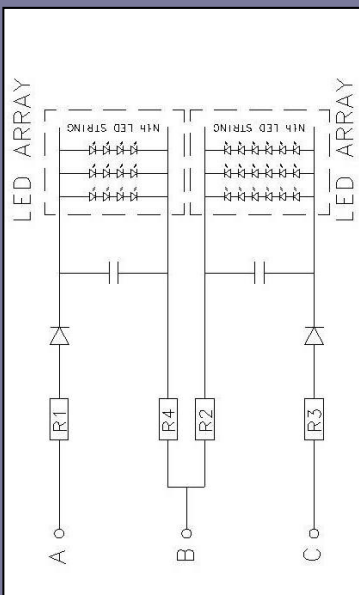
Currently available LED colours are:

- Green 525nm
- Amber 595nm Luminance 514 cd/m² at 28V DC

Solid face displays switching between green and amber is also available. Other display and colour options can be made available at customer request.

Features

- Operating Voltage: 28V DC Nominal
- MTBF: 19,600 hours Nominal
- Operating Temperature Range: -40°C to +70°C
- Weight: >40g
- Insulation Resistance: 20MΩ (min) at 500V DC
- Environmental Conditions: B.S.3G.100 Part 2
- NVIS compatible to MIL-L-85762A



Ultra
ELECTRONICS

Ultra Electronics reserves the right to vary these specifications without notice.

© Ultra Electronics Limited 2017.

Printed in England
Insert imprint code