



## Solenoid valve (WS1230-4001)

Ultra Electronics Precision Air & Land Systems offers a compact, lightweight, electrically operated 2 positions 2 way coalescer solenoid valve.

The normally closed, energised to open valve is designed to minimise mass and space envelope. This valve has been designed for high temperature applications and makes use of non-polymer based sealing technologies.

It incorporates a pair of electrical flying leads, while the inlet with pneumatic connector features an integral particulate filter and outlet housed within the same "locate & bolt on" plug-in interface

### Benefits

- Maximised reliability through the reduction of elastomeric seals
- High performance valves with low power consumption minimises System impact
- Compact, robust, design eases integration into aerospace and defence applications



**Ultra Electronics**  
PRECISION AIR & LAND SYSTEMS  
Arle Court  
Hatherley Lane  
Gloucestershire  
GL51 6PN  
England  
Tel: +44 (0)1242 221166  
Email: [marketing@ultra-pals.com](mailto:marketing@ultra-pals.com)  
[www.ultra-pals.com](http://www.ultra-pals.com)  
[www.ultra-electronics.com](http://www.ultra-electronics.com)

Ultra Electronics reserves the right to vary these specifications without notice.

© Ultra Electronics Limited 2014.

Main image courtesy UK MoD

Printed in England

107/012014/1/UEPALS-AB

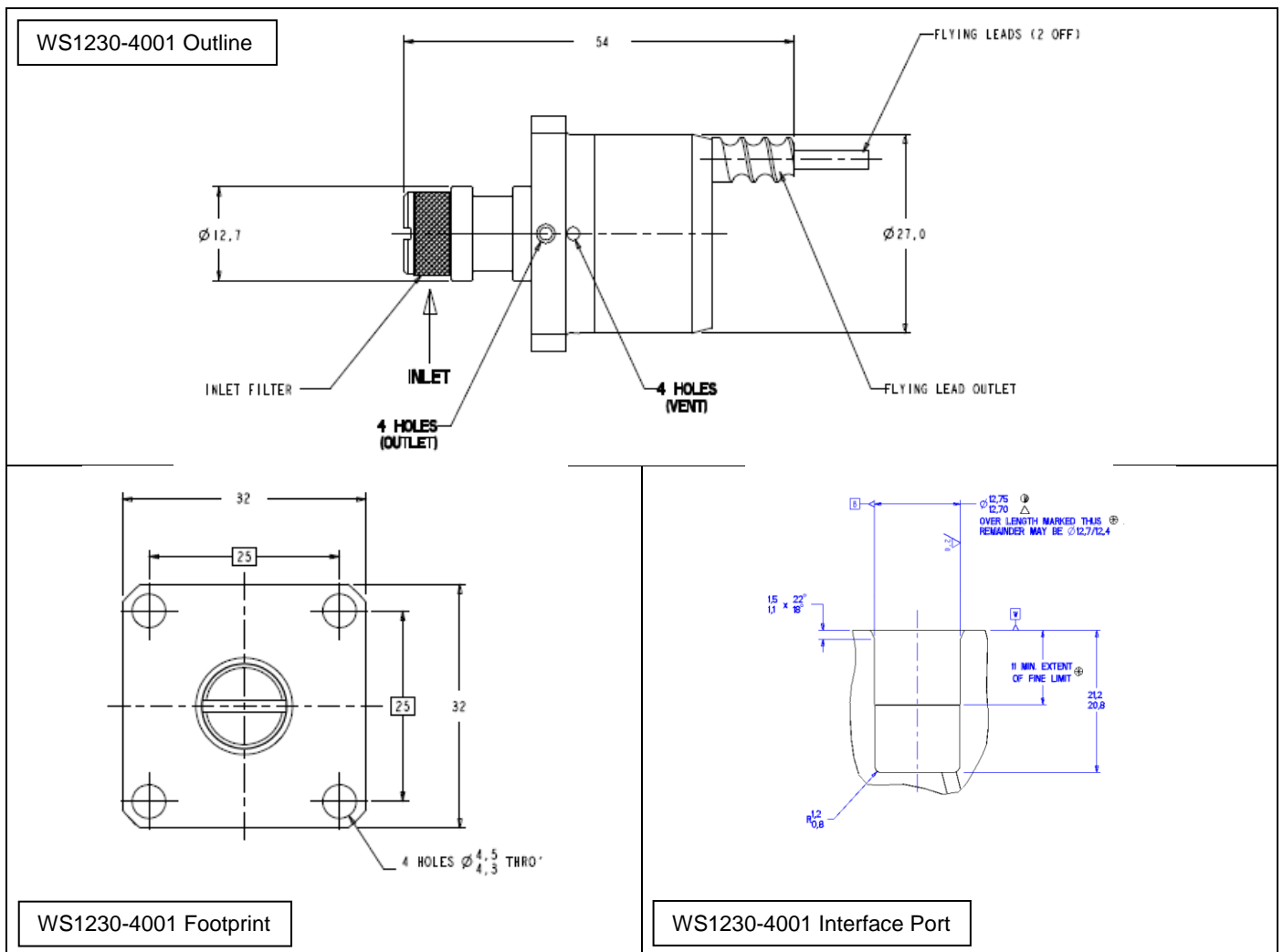
**Ultra**  
ELECTRONICS

### Specification

Media	Wet or Dry Gas
Functionality	Normally closed, energise to open
Hydraulic proof pressure	9904 psig (683 bar)
Normal inlet pressure	<5075 psig (350 bar)
Operational voltage	47 to 49 Vdc (27 to 29 Vdc version Part No WS1232-4001)
Current	0.24 Amps @ 49 Vdc & -59°C
Nominal volume flow rate	140 SL/min @ <350 bar
Space envelope	55 mm x 33 mm x 33 mm
Operational temperature range	-59°C to +150°C
Non-operation temperature range	-59°C to +250°C

### Typical installation

Dimensions in mm's



Ultra Electronics reserves the right to vary these specifications without notice.  
 © Ultra Electronics Limited 2014.  
 Main image courtesy UK MoD  
 Printed in England  
 107/012014/1/UEPALS-AB

**Ultra Electronics**  
 PRECISION AIR & LAND SYSTEMS  
 Arle Court  
 Hatherley Lane  
 Gloucestershire  
 GL51 6PN  
 England  
 Tel: +44 (0)1242 221166  
 Email: marketing@ultra-pals.com  
 www.ultra-pals.com  
 www.ultra-electronics.com

