



## Solenoid valve (WS1218-4001)

Ultra Electronics Precision Air & Land Systems offers a compact, lightweight, electrically operated 2 positions 2 way solenoid.

The normally closed, energised to open valve is designed to minimise mass and space envelope.

It incorporates a standard D38999/25 electrical connector, while the inlet with pneumatic connection features an integral particulate filter and outlet housed within the same "locate & bolt on" plug-in interface.

### Benefits

- High performance valves with low power consumption minimises System impact
- Compact, robust, design eases integration into aerospace and defence applications



**Ultra Electronics**  
PRECISION AIR & LAND SYSTEMS  
Arle Court  
Hatherley Lane  
Gloucestershire  
GL51 6PN  
England  
Tel: +44 (0)1242 221166  
Email: [marketing@ultra-pals.com](mailto:marketing@ultra-pals.com)  
[www.ultra-pals.com](http://www.ultra-pals.com)  
[www.ultra-electronics.com](http://www.ultra-electronics.com)

Ultra Electronics reserves the right to vary these specifications without notice.

© Ultra Electronics Limited 2014.

Main image courtesy UK MoD

Printed in England

106/012014/1/UEPALS-AB

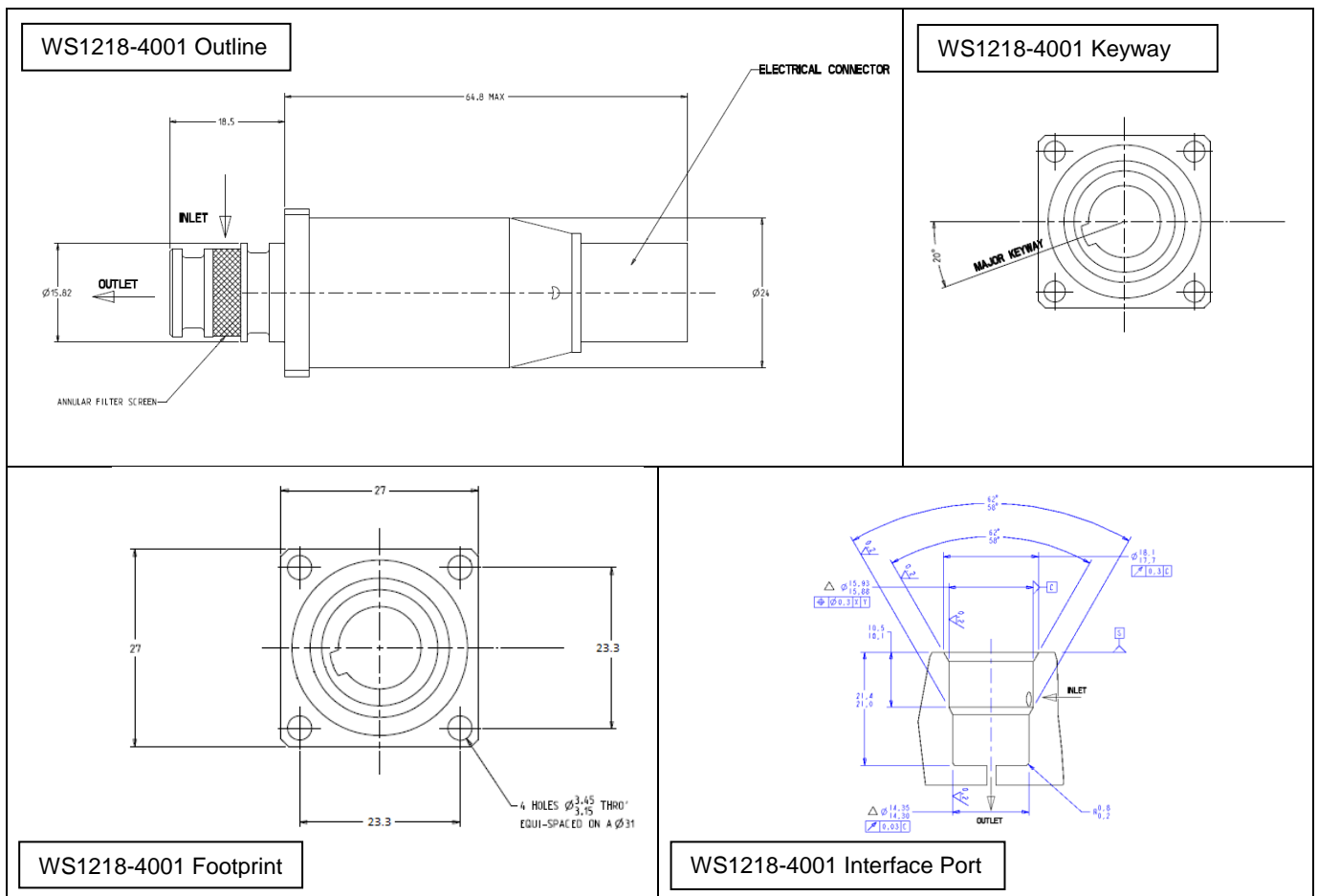
**Ultra**  
ELECTRONICS

## Specification

Media	Dry Gas
Functionality	Normally closed, energise to open
Hydraulic proof pressure	6960 psig (480 bar)
Maximum inlet pressure	4640 psig (320 bar)
Operational voltage	18 to 32 Vdc
Minimum holding voltage	8 Vdc
Current	<0.25 A @ 28 Vdc
Minimum volume flow rate	30 SL/min @ 150 bar
Switching time	Typical <10 ms
Standard space envelope	84 mm x 27 mm x 27 mm
Temperature range	-51°C to +100°C
Estimated mass	0.165 Kg

## Typical installation

Dimensions in mm's



Ultra Electronics reserves the right to vary these specifications without notice.  
 © Ultra Electronics Limited 2014.  
 Main image courtesy UK MoD  
 Printed in England  
 106/012014/1/UEPALS-AB

**Ultra Electronics**  
 PRECISION AIR & LAND SYSTEMS  
 Arle Court  
 Hatherley Lane  
 Gloucestershire  
 GL51 6PN  
 England  
 Tel: +44 (0)1242 221166  
 Email: [marketing@ultra-pals.com](mailto:marketing@ultra-pals.com)  
[www.ultra-pals.com](http://www.ultra-pals.com)  
[www.ultra-electronics.com](http://www.ultra-electronics.com)

