



Landing Gear Control Unit

High Integrity Position Monitoring and Control

Features

- Based around Ultra's existing controllers used on the world's most modern aircraft
- Design Assurance Level A - hardware and software
- ARINC 2MCU construction
- 2 mechanically separate, independent and redundant control lanes
- Small, lightweight, reliable with built in Weight On Wheels functionality

Ultra's new Landing Gear Control Unit is based on the experience of having 6,000 aircraft fitted with our controllers in service around the world.

The Landing Gear Control Unit controls the movement of the landing gear structure and the landing gear doors. It receives crew commands from the cockpit, monitors the position of the landing gear and controls the hydraulic extension and retraction system to move the gear up or down.

Proximity Sensors located on the moving parts of the landing gear and doors send signals to the Controller. The Controller interprets these signals and determines the position of the gear and commands the hydraulic motors and solenoids to create the required movement.

The Controller also provides all the Weight-On-Wheels signals for the rest of the aircraft systems.

Each Controller contains 2 Printed Circuit Board Assemblies which are mechanically separated to create independent and redundant control lanes.

The Controller can be configured to perform additional functions such as Nosewheel Steering and Brake Temperature Monitoring.

Existing aircraft

Ultra's controllers are fitted to the following civil aircraft:

- Airbus A318, A319, A320, A321, A330 and A340
- Gulfstream G650 business Jet

Landing Gear Control Unit

The Controller contains fully automatic Built-In-Test capability. This function monitors the health of its own circuits and also the state of the other landing gear components it is controlling.

The Controller can be configured to perform other functions such as Nosewheel Steering or Brake Temperature Monitoring.

The Controller uses the most modern electronic components to obtain the best function, highest reliability and lowest cost.

Convection cooled – forced air cooling is not required



Full Design, Supply and Support Service

Ultra offers customers a full design, development, qualification, supply and worldwide support service. This is often in accordance with the customer's own processes and systems.

Key features

- Power supply: 28VDC
- Power consumption: 20W
- Software: DO-178 Level A
- Hardware: DO-254 Level A

Product Category

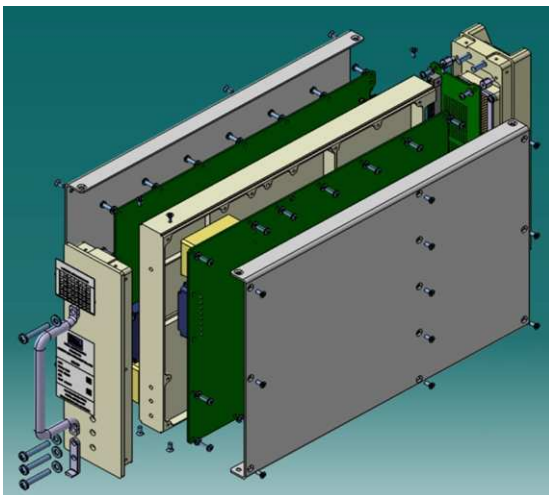
ATA32.

Development Lead Time

Design, development, qualification and first delivery within 18 months of contract.

Production Lead Time

Products are normally produced within 6 months from receipt of orders



Ultra Electronics
CONTROLS
417 Bridport Road
Greenford. London
UK GL51 9PG

Tel: +44 (0)20 8813 4444
Email: sales@ultra-controls.com
www.ultra-controls.com
www.ultra-electronics.com

Ultra Electronics reserves the right to vary these specifications without notice.

© Ultra Electronics Limited 2011.